

## 6.3 T827 Exciter PCB

This section contains the following information.

IPN	Section	Page
<b>220-01187-01</b>	Parts List	6.3.3
	Mechanical & Miscellaneous Parts	6.3.7
	Grid Reference Index	6.3.9
	PCB Layout - Top Side	6.3.11
	PCB Layout - Bottom Side	6.3.12
	Test Points & Options - Top Side	6.3.13
	Synthesiser Circuit Diagram	6.3.15
	Audio Processor Circuit Diagram	6.3.16
	Regulators & Exciter Circuit Diagram	6.3.17



## T827 Parts List (IPN 220-01187-01)

### How To Use This Parts List

The components listed in this parts list are divided into two main types: those with a circuit reference (e.g. C2, D1, R121, etc) and those without (miscellaneous and mechanical).

Those with a circuit reference are grouped in alphabetical order and then in numerical order within each group. Each component entry comprises three or four columns: the circuit reference, variant (if applicable), IPN and description. A number in the variant column indicates that this is a variant component which is fitted only to the product type listed.

The miscellaneous and mechanical section lists the variant and common parts in IPN order.

### Parts List Amendments

C180/C181 150pF chip capacitors (IPN 015-23150-01) added to the microphone jack input on the bottom of the PCB to reduce audio distortion to meet European EMC requirements - PCB grid reference 2:C7 (95/11-7109).  
 C376 4n7 chip capacitor deleted to reduce output power from exciter (91/11-1131).  
 D7 BAV70 SMD diode deleted to reduce output power from exciter (91/11-1131).  
 R307 Zero ohm resistor added in place of C376 (91/11-1131).

Ref	Var	IPN	Description	Ref	Var	IPN	Description
<b>Note:</b> %D107 and %D108 are optional level limiting diodes for special applications.				C112		020-08220-01	CAP ELECT RADL 22M 16V 5X11MM
C1		015-06100-08	CAP CER 1206 CHIP 100N 10% X7R 50V	C113		015-25100-08	CAP CER 0805 CHIP 10N 10% X7R 50V
C2		015-24100-08	CAP CER 0805 CHIP 1N 10% X7R 50V	C115		015-06100-08	CAP CER 1206 CHIP 100N 10% X7R 50V
C3		015-06100-08	CAP CER 1206 CHIP 100N 10% X7R 50V	C118		015-06100-08	CAP CER 1206 CHIP 100N 10% X7R 50V
C4		015-23100-01	CAP CER 0805 CHIP 100P 5% NPO 50V	C119		020-07470-91	CAP ELECT RADL 4M7 63V 6X11MM BI-POLAR
C5		015-24100-08	CAP CER 0805 CHIP 1N 10% X7R 50V	C121		015-06100-08	CAP CER 1206 CHIP 100N 10% X7R 50V
C6		015-24100-08	CAP CER 0805 CHIP 1N 10% X7R 50V	C123		015-23470-08	CAP CER 0805 CHIP 470P 10% X7R 50V
C9		015-24100-08	CAP CER 0805 CHIP 1N 10% X7R 50V	C124		015-21470-01	CAP CER 0805 CHIP 4P7 +/-0.25P NPO 50V
C10		015-24100-08	CAP CER 0805 CHIP 1N 10% X7R 50V	C126		015-06100-08	CAP CER 1206 CHIP 100N 10% X7R 50V
C11		015-24100-08	CAP CER 0805 CHIP 1N 10% X7R 50V	C128		015-23470-08	CAP CER 0805 CHIP 470P 10% X7R 50V
C12		015-24100-08	CAP CER 0805 CHIP 1N 10% X7R 50V	C129		020-08470-02	CAP ELECT RADL 47M 16V 6X11MM
C13		015-06100-08	CAP CER 1206 CHIP 100N 10% X7R 50V	C133		015-24470-08	CAP CER 0805 CHIP 4N7 10% X7R 50V
C15		020-08100-03	CAP ELECT RADL 10UF 50V 5X11MM	C135		015-22470-01	CAP CER 0805 CHIP 47P 5% NPO 50V
C16		015-06100-08	CAP CER 1206 CHIP 100N 10% X7R 50V	C137		020-08220-01	CAP ELECT RADL 22M 16V 5X11MM
C17		015-22560-01	CAP CER 0805 CHIP 56P 5% NPO 50V	C139		015-06100-08	CAP CER 1206 CHIP 100N 10% X7R 50V
C19		015-24100-08	CAP CER 0805 CHIP 1N 10% X7R 50V	C141		015-05470-08	CAP CER 1206 CHIP 47N 10% X7R 50V
C20		015-23470-08	CAP CER 0805 CHIP 470P 10% X7R 50V	C145		015-06100-08	CAP CER 1206 CHIP 100N 10% X7R 50V
C21		015-24100-08	CAP CER 0805 CHIP 1N 10% X7R 50V	C146		015-24100-08	CAP CER 0805 CHIP 1N 10% X7R 50V
C25		025-08100-02	CAP TANT BEAD 10M 10% 16V	C147		020-07100-02	CAP ELECT RADL 1M 50V 5X11MM
C26		015-25100-08	CAP CER 0805 CHIP 10N 10% X7R 50V	C148		015-05220-08	CAP CER 1206 CHIP 22N 10% X7R 50V
C29		022-57100-02	CAP MYLAR AI 1M 20% 50V POTTED	C149		015-06100-08	CAP CER 1206 CHIP 100N 10% X7R 50V
C30		020-08100-03	CAP ELECT RADL 10UF 50V 5X11MM	C150		020-08100-03	CAP ELECT RADL 10UF 50V 5X11MM
C33		015-06100-08	CAP CER 1206 CHIP 100N 10% X7R 50V	C151		015-21470-01	CAP CER 0805 CHIP 4P7 +/-0.25P NPO 50V
C34		020-08100-03	CAP ELECT RADL 10UF 50V 5X11MM	C152		020-09100-03	CAP ELECT RADL 100M 16V 8X11MM
C35		020-08100-03	CAP ELECT RADL 10UF 50V 5X11MM	C153		015-24100-08	CAP CER 0805 CHIP 1N 10% X7R 50V
C36		015-06100-08	CAP CER 1206 CHIP 100N 10% X7R 50V	C154		020-09100-03	CAP ELECT RADL 100M 16V 8X11MM
C39		015-06100-08	CAP CER 1206 CHIP 100N 10% X7R 50V	C156		020-07470-91	CAP ELECT RADL 4M7 63V 6X11MM BI-POLAR
C40		015-21820-01	CAP CER 0805 CHIP 8P2 +/-0.25P NPO 50V	&C157	10	015-21150-01	CAP CER 0805 CHIP 1P5 +/-0.25P NPO 5
C42		022-05100-01	CAP MYLAR 10N 10% 50V	&C157	15	015-21470-01	CAP CER 0805 CHIP 4P7 +/-0.25P NPO 5
C43		015-25100-08	CAP CER 0805 CHIP 10N 10% X7R 50V	C158		015-05470-08	CAP CER 1206 CHIP 47N 10% X7R 50V
C44		015-23220-01	CAP CER 0805 CHIP 220P 5% NPO 50V	C160		015-05470-08	CAP CER 1206 CHIP 47N 10% X7R 50V
C45		015-24470-08	CAP CER 0805 CHIP 4N7 10% X7R 50V	C161		015-24100-08	CAP CER 0805 CHIP 1N 10% X7R 50V
C46		015-06100-08	CAP CER 1206 CHIP 100N 10% X7R 50V	C162		020-07470-91	CAP ELECT RADL 4M7 63V 6X11MM BI-POLAR
C47		015-23220-01	CAP CER 0805 CHIP 220P 5% NPO 50V	C163		020-07470-91	CAP ELECT RADL 4M7 63V 6X11MM BI-POLAR
C48		020-08470-02	CAP ELECT RADL 47M 16V 6X11MM	C164		015-23470-08	CAP CER 0805 CHIP 470P 10% X7R 50V
C101		020-08100-03	CAP ELECT RADL 10UF 50V 5X11MM	C166		015-05470-08	CAP CER 1206 CHIP 47N 10% X7R 50V
C102		020-07470-91	CAP ELECT RADL 4M7 63V 6X11MM BI-POLAR	C180		015-23150-01	CAP CER 0805 CHIP 150P 5% NPO 50V
C103		020-07470-91	CAP ELECT RADL 4M7 63V 6X11MM BI-POLAR	C181		015-23150-01	CAP CER 0805 CHIP 150P 5% NPO 50V
C104		015-24100-08	CAP CER 0805 CHIP 1N 10% X7R 50V	C209		020-08100-03	CAP ELECT RADL 10UF 50V 5X11MM
C105		015-24100-08	CAP CER 0805 CHIP 1N 10% X7R 50V	C212		015-06100-08	CAP CER 1206 CHIP 100N 10% X7R 50V
C106		015-24220-08	CAP CER 0805 CHIP 2N2 10% X7R 50V	C213		025-08100-02	CAP TANT BEAD 10M 10% 16V
C107		020-08220-01	CAP ELECT RADL 22M 16V 5X11MM	C214		015-06100-08	CAP CER 1206 CHIP 100N 10% X7R 50V
C108		015-24100-08	CAP CER 0805 CHIP 1N 10% X7R 50V	C215		025-08100-02	CAP TANT BEAD 10M 10% 16V
C109		015-24100-08	CAP CER 0805 CHIP 1N 10% X7R 50V	C216		015-06100-08	CAP CER 1206 CHIP 100N 10% X7R 50V
C110		015-24100-08	CAP CER 0805 CHIP 1N 10% X7R 50V	C217		015-24100-08	CAP CER 0805 CHIP 1N 10% X7R 50V
C111		015-22470-01	CAP CER 0805 CHIP 47P 5% NPO 50V	C218		015-24100-08	CAP CER 0805 CHIP 1N 10% X7R 50V
				C219		020-09470-07	CAP 470M 16V 20% ELEC VERT 8*20 3.5MM L
				C220		015-24470-08	CAP CER 0805 CHIP 4N7 10% X7R 50V
				C221		015-24100-08	CAP CER 0805 CHIP 1N 10% X7R 50V
				C222		020-09100-03	CAP ELECT RADL 100M 16V 8X11MM
				C223		020-07220-01	CAP ELECT RADL 2M2 50V 5X11MM

Ref	Var	IPN	Description	Ref	Var	IPN	Description
C224		025-07330-01	CAP TANT BEAD 3M3 35V	Q211		000-10008-07	(S) XSTR SMD BC807 PNP SOT-23 AF LO PWR
C225		015-24470-08	CAP CER 0805 CHIP 4N7 10% X7R 50V	Q212		000-10008-57	(S) XSTR SMD BCW70 PNP SOT23 AF SML SIG
C226		020-07100-02	CAP ELECT RADL 1M 50V 5X11MM	Q300		000-00031-96	(S) XSTR 3866 NPN TO-92 SW. MOT ONLY
C227		020-08100-03	CAP ELECT RADL 10UF 50V 5X11MM	Q301		000-00022-30	(S) XSTR 2N4427 NPN TO-39 VHF PWR DRIVE
C228		015-24100-08	CAP CER 0805 CHIP 1N 10% X7R 50V	Q352		000-00012-15	(S) XSTR BD234 PNP AF PWR TO126
C229		015-24100-08	CAP CER 0805 CHIP 1N 10% X7R 50V	Q353		000-10008-48	(S) XSTR SMD BCW60/BC848B215 NPN SOT23
C230		015-24100-08	CAP CER 0805 CHIP 1N 10% X7R 50V	Q354		000-10008-48	(S) XSTR SMD BCW60/BC848B215 NPN SOT23
C231		015-24100-08	CAP CER 0805 CHIP 1N 10% X7R 50V				
C232		015-06100-08	CAP CER 1206 CHIP 100N 10% X7R 50V	R1		036-12100-00	RES M/F 0805 CHIP 10E 5%
C233		015-06100-08	CAP CER 1206 CHIP 100N 10% X7R 50V	R2		036-12220-00	RES M/F 0805 CHIP 22E 5%
C303		015-24470-08	CAP CER 0805 CHIP 4N7 10% X7R 50V	R3		036-17100-00	RES M/F 0805 CHIP 1M 5%
C308		015-24470-08	CAP CER 0805 CHIP 4N7 10% X7R 50V	R6		036-17100-00	RES M/F 0805 CHIP 1M 5%
C313		015-24470-08	CAP CER 0805 CHIP 4N7 10% X7R 50V	R7		036-14330-00	RES M/F 0805 CHIP 3K3 5%
C317		015-22820-01	CAP CER 0805 CHIP 82P 5% NPO 50V	R8		036-14100-00	RES M/F 0805 CHIP 1K 5%
C319		015-22680-01	CAP CER 0805 CHIP 68P 5% NPO 50V	R9		036-13100-00	RES M/F 0805 CHIP 100E 5%
C322		015-22390-01	CAP CER 0805 CHIP 39P 5% NPO 50V	R10		036-13220-00	RES M/F 0805 CHIP 220E 5%
C330		015-06100-08	CAP CER 1206 CHIP 100N 10% X7R 50V	R11		036-17100-00	RES M/F 0805 CHIP 1M 5%
C352		022-05470-01	CAP MYLAR 47N 10% 50V	R14		036-17100-00	RES M/F 0805 CHIP 1M 5%
C364		015-24470-08	CAP CER 0805 CHIP 4N7 10% X7R 50V	R15		036-12680-00	RES M/F 0805 CHIP 68E 5%
C366		020-07470-04	CAP ELECT RADL 4M7 25V 20% 8X13MM SOLID	R16		036-17100-00	RES M/F 0805 CHIP 1M 5%
C367		015-24470-08	CAP CER 0805 CHIP 4N7 10% X7R 50V	R18		036-12100-00	RES M/F 0805 CHIP 10E 5%
C370		015-24470-08	CAP CER 0805 CHIP 4N7 10% X7R 50V	R19		036-17100-00	RES M/F 0805 CHIP 1M 5%
C371		015-24100-08	CAP CER 0805 CHIP 1N 10% X7R 50V	R20		036-17100-00	RES M/F 0805 CHIP 1M 5%
C372		015-24470-08	CAP CER 0805 CHIP 4N7 10% X7R 50V	R21		036-12100-00	RES M/F 0805 CHIP 10E 5%
C373		015-24470-08	CAP CER 0805 CHIP 4N7 10% X7R 50V	R22		036-12220-00	RES M/F 0805 CHIP 22E 5%
C374		015-24470-08	CAP CER 0805 CHIP 4N7 10% X7R 50V	R24		036-12220-00	RES M/F 0805 CHIP 22E 5%
C375		015-24470-08	CAP CER 0805 CHIP 4N7 10% X7R 50V	R25		036-15150-00	RES M/F 0805 CHIP 15K 5%
				R29		036-16470-00	RES M/F 0805 CHIP 470K 5%
D4		001-10000-70	(S) DIODE SMD BAV70 DUAL SWITCH SOT-23 CO	R30		036-13220-00	RES M/F 0805 CHIP 220E 5%
D5		001-10000-99	(S) DIODE SMD BAV99 DUAL SWITCH SINGLE INLI	R32		036-14100-00	RES M/F 0805 CHIP 1K 5%
D6		001-10000-99	(S) DIODE SMD BAV99 DUAL SWITCH SINGLE INLI	R35		036-15100-00	RES M/F 0805 CHIP 10K 5%
D100		001-10000-56	(S) DIODE SMD BAW56 DUAL SWITCH SOT-23	R36		036-16470-00	RES M/F 0805 CHIP 470K 5%
D101		001-10000-99	(S) DIODE SMD BAV99 DUAL SWITCH SINGLE IN	R37		036-15100-00	RES M/F 0805 CHIP 10K 5%
D102		001-10000-56	(S) DIODE SMD BAW56 DUAL SWITCH SOT-23	R38		036-15100-00	RES M/F 0805 CHIP 10K 5%
D103		001-10000-56	(S) DIODE SMD BAW56 DUAL SWITCH SOT-23	R39		036-16470-00	RES M/F 0805 CHIP 470K 5%
D104		001-10000-99	(S) DIODE SMD BAV99 DUAL SWITCH SINGLE IN	R40		036-16470-00	RES M/F 0805 CHIP 470K 5%
D106		001-00015-29	(S) DIODE ZENER 33V 0.4W BZX79/C33	R42		036-14180-00	RES M/F 0805 CHIP 1K8 5%
D204		001-10000-70	(S) DIODE SMD BAV70 DUAL SWITCH SOT-23	R43		036-12220-00	RES M/F 0805 CHIP 22E 5%
D205		001-10000-70	(S) DIODE SMD BAV70 DUAL SWITCH SOT-23	R46		036-14220-00	RES M/F 0805 CHIP 2K2 5%
D206		001-10000-99	(S) DIODE SMD BAV99 DUAL SWITCH SINGLE IN	R47		036-14100-00	RES M/F 0805 CHIP 1K 5%
D207		001-10000-70	(S) DIODE SMD BAV70 DUAL SWITCH SOT-23	R48		036-14470-00	RES M/F 0805 CHIP 4K7 5%
D208		001-10000-70	(S) DIODE SMD BAV70 DUAL SWITCH SOT-23	R49		036-14470-00	RES M/F 0805 CHIP 4K7 5%
D209		001-10000-70	(S) DIODE SMD BAV70 DUAL SWITCH SOT-23	R50		036-15100-00	RES M/F 0805 CHIP 10K 5%
D210		001-00015-17	(S) DIODE ZENER 9V1 0.4W BZX79/C9V1	R51		036-15100-00	RES M/F 0805 CHIP 10K 5%
D211		001-10000-70	(S) DIODE SMD BAV70 DUAL SWITCH SOT-23	R52		036-15100-00	RES M/F 0805 CHIP 10K 5%
D403		001-00011-60	(S) DIODE SR2607 6A/30V	R54		036-14100-00	RES M/F 0805 CHIP 1K 5%
				R55		036-13100-00	RES M/F 0805 CHIP 100E 5%
IC1		539-00010-41	TCXO 12.8MHz +-2.5PPM -30 TO +70C NDK NS	R56		036-17100-00	RES M/F 0805 CHIP 1M 5%
IC3		002-00017-51	(S) IC SP8793 DUAL MOD PRESC 40/41	R57		036-15270-00	RES M/F 0805 CHIP 27K 5%
IC4		002-74045-20	(S) IC 74HC4520 DUAL 4BIT SYNCRON CNTR	R64		036-15150-00	RES M/F 0805 CHIP 15K 5%
IC5		002-00017-63	(S) IC NJ8820DP FREQ SYNTHESIZER	R65		036-16100-00	RES M/F 0805 CHIP 100K 5%
IC6		002-00012-47	(S) IC MC33078 DUAL OP AMP LO NOISE	R67		036-14270-00	RES M/F 0805 CHIP 2K7 5%
IC7		002-74000-04	(S) IC 74HC04 UNBUFF HEX INVERTER	R68		036-15270-00	RES M/F 0805 CHIP 27K 5%
IC100		002-00020-50	(S) IC 4N25A OPTOCOUPLER	R69		036-15100-00	RES M/F 0805 CHIP 10K 5%
IC101		002-00015-30	(S) IC 4053B 2CHAN MUX/DEMUX	R70		036-15100-00	RES M/F 0805 CHIP 10K 5%
IC102		002-00014-40	(S) IC 324 QUAD OP AMP	R71		036-15100-00	RES M/F 0805 CHIP 10K 5%
IC103		002-00012-25	(S) IC TL084 QUAD OP AMP JFET I/P	R72		036-15470-00	RES M/F 0805 CHIP 47K 5%
IC104		002-00012-40	(S) IC 358 DUAL OP AMP	R73		036-13330-00	RES M/F 0805 CHIP 330E 5%
IC201		002-00014-62	(S) IC 317L 100MA REG 3 TERMINAL TO-92	R74		036-12100-00	RES M/F 0805 CHIP 10E 5%
IC202		002-00014-40	(S) IC 324 QUAD OP AMP	R75		036-12100-00	RES M/F 0805 CHIP 10E 5%
				R76		036-15100-00	RES M/F 0805 CHIP 10K 5%
L1		056-00021-04	IND FXD 330NH AXIAL	RV100		040-05100-23	POT 10K LOG VERT PCB MTG 15MM SLOT SHA
L302		065-00010-01	BEAD FERRITE 3B 6 HOLE	R100		036-13100-00	RES M/F 0805 CHIP 100E 5%
L303		065-00010-04	BEAD FERRITE F8 4X2X5MM	R101		036-15100-00	RES M/F 0805 CHIP 10K 5%
L308		056-00021-00	IND FXD 3.3UH AXIAL	R102		036-13470-00	RES M/F 0805 CHIP 470E 5%
L309		052-08155-55	COIL A/W 5.5T/5.5MM HOR 0.8MM WIRE	R103		036-13560-00	RES M/F 0805 CHIP 560E 5%
L310		056-00021-00	IND FXD 3.3UH AXIAL	RV104		042-05470-06	RES PRESET 47K CARBON 6MM FLAT TOP ADJ
L311		052-08145-35	COIL A/W 3.5/4.5MM HOR 0.8MM WIRE	R104		036-13560-00	RES M/F 0805 CHIP 560E 5%
L312		052-08160-55	COIL A/W 5.5T/6.0MM HOR 0.8MM WIRE	RV105		042-06100-06	RES PRESET 100K CARBON 6MM FLAT
L313		052-08150-35	COIL A/W 3.5T/5.0MM HOR 0.8MM WIRE	R105		036-15100-00	RES M/F 0805 CHIP 10K 5%
L314		052-08150-55	COIL A/W 5.5T/5.0MM HOR 0.8MM WIRE	RV106		042-04470-06	RES PRESET 4K7 CARBON 6MM FLAT
LED1		008-00013-32	(S) LED 3MM RED LO CURRENT NO MTG	R106		036-14220-00	RES M/F 0805 CHIP 2K2 5%
LED2		008-00013-35	(S) LED 3MM GREEN LO CURRENT NO MTG	R107		036-15100-00	RES M/F 0805 CHIP 10K 5%
				R108		036-14100-00	RES M/F 0805 CHIP 1K 5%
				R109		036-14390-00	RES M/F 0805 CHIP 3K9 5%
PL1		240-00020-57	HEADER 10 WAY 1 ROW PCB MTG	R110		036-15100-00	RES M/F 0805 CHIP 10K 5%
PL100		240-00020-67	HEADER 6WAY 2X3 PCB MTG STD	R111		036-16390-00	RES M/F 0805 CHIP 390K 5%
PL101		240-00020-67	HEADER 6WAY 2X3 PCB MTG STD	R112		036-16100-00	RES M/F 0805 CHIP 100K 5%
PL102		240-00020-44	HEADER 10WAY 2ROW STRAIGHT PCB MTG (5*	R113		036-16100-00	RES M/F 0805 CHIP 100K 5%
PL103		240-00020-67	HEADER 6WAY 2X3 PCB MTG STD	R115		036-15100-00	RES M/F 0805 CHIP 10K 5%
				R116		036-16100-00	RES M/F 0805 CHIP 100K 5%
Q1		000-10057-10	(S) XSTR SMD MMBR571 NPN SOT-23 UHF LO PW	R117		036-15100-00	RES M/F 0805 CHIP 10K 5%
Q5		000-10008-48	(S) XSTR SMD BCW60/BC848B215 NPN SOT23 AF	R118		036-13560-00	RES M/F 0805 CHIP 560E 5%
Q6		000-10008-57	(S) XSTR SMD BCW70 PNP SOT23 AF SML SIG	R119		036-16100-00	RES M/F 0805 CHIP 100K 5%
Q7		000-10008-48	(S) XSTR SMD BCW60/BC848B215 NPN SOT23 AF	R120		036-16100-00	RES M/F 0805 CHIP 100K 5%
Q8		000-10008-48	(S) XSTR SMD BCW60/BC848B215 NPN SOT23 AF	R121		036-16100-00	RES M/F 0805 CHIP 100K 5%
Q9		000-10008-57	(S) XSTR SMD BCW70 PNP SOT23 AF SML SIG	R122		036-15120-00	RES M/F 0805 CHIP 12K 5%
Q10		000-10008-48	(S) XSTR SMD BCW60/BC848B215 NPN SOT23 A	R123		036-15120-00	RES M/F 0805 CHIP 12K 5%
Q11		000-10008-57	(S) XSTR SMD BCW70 PNP SOT23 AF SML SIG	R124		036-14270-00	RES M/F 0805 CHIP 2K7 5%
Q101		000-10008-48	(S) XSTR SMD BCW60/BC848B215 NPN SOT23	R127		036-16100-00	RES M/F 0805 CHIP 100K 5%
Q102		000-10008-57	(S) XSTR SMD BCW70 PNP SOT23 AF SML SIG	R128		036-16100-00	RES M/F 0805 CHIP 100K 5%
Q103		000-10008-17	(S) XSTR SMD BC817-25 NPN SOT-23 AF LO	R131		036-17100-00	RES M/F 0805 CHIP 1M 5%
Q104		000-10008-48	(S) XSTR SMD BCW60/BC848B215 NPN SOT23	R136		036-15100-00	RES M/F 0805 CHIP 10K 5%
Q105		000-10008-17	(S) XSTR SMD BC817-25 NPN SOT-23 AF LO	R141		036-16150-00	RES M/F 0805 CHIP 150K 5%
Q106		000-00011-91	(S) XSTR BD139 NPN AF PWR TO126	R143		036-14220-00	RES M/F 0805 CHIP 2K2 5%
Q208		000-10008-17	(S) XSTR SMD BC817-25 NPN SOT-23 AF LO	R146		036-15220-00	RES M/F 0805 CHIP 22K 5%
Q209		000-00011-30	(S) XSTR BC557B PNP AF SML SIG TO92	R147		036-15470-00	RES M/F 0805 CHIP 47K 5%
Q210		000-00012-15	(S) XSTR BD234 PNP AF PWR TO126	R148		036-16150-00	RES M/F 0805 CHIP 150K 5%

Ref	Var	IPN	Description	Ref	Var	IPN	Description
R149		036-15470-00	RES M/F 0805 CHIP 47K 5%	R431		036-14270-00	RES M/F 0805 CHIP 2K7 5%
R150		036-15470-00	RES M/F 0805 CHIP 47K 5%	SK1		240-04020-57	SKT 10 WAY 1ROW PCB MTG TOP ENTRY
R151		036-14470-00	RES M/F 0805 CHIP 4K7 5%	SK100		240-02020-05	SKT STEREO PHONE JACK PCB MTG
&R152	10	036-15220-00	RES M/F 0805 CHIP 22K 5%	SK300		240-02100-44	SKT COAX MINI JACK PCB MTG ANGLED
&R152	15	036-15270-00	RES M/F 0805 CHIP 27K 5%	SW101		232-00010-26	SWITCH PUSH SPDT RT ANGLE PCB MTG NO B
R155		036-15100-00	RES M/F 0805 CHIP 10K 5%	T100		053-00010-17	XFMR T4030 LINE MATCH POTCORE
R159		036-14220-00	RES M/F 0805 CHIP 2K2 5%	T200		050-00016-50	COIL TAIT NO 650 455KHZ 5.6MM CAN
R162		036-13680-00	RES M/F 0805 CHIP 680E 5%				
R163		036-14100-00	RES M/F 0805 CHIP 1K 5%				
R164		036-13680-00	RES M/F 0805 CHIP 680E 5%				
R166		036-17100-00	RES M/F 0805 CHIP 1M 5%				
R167		036-14680-00	RES M/F 0805 CHIP 6K8 5%				
R168		036-17100-00	RES M/F 0805 CHIP 1M 5%				
R169		036-16120-00	RES M/F 0805 CHIP 120K 5%				
R170		036-15100-00	RES M/F 0805 CHIP 10K 5%				
R171		036-14220-00	RES M/F 0805 CHIP 2K2 5%				
R172		036-16470-00	RES M/F 0805 CHIP 470K 5%				
R173		036-15100-00	RES M/F 0805 CHIP 10K 5%				
R174		036-16330-00	RES M/F 0805 CHIP 330K 5%				
R175		036-14100-00	RES M/F 0805 CHIP 1K 5%				
R176		036-16100-00	RES M/F 0805 CHIP 100K 5%				
R177		036-16100-00	RES M/F 0805 CHIP 100K 5%				
R178		036-15560-00	RES M/F 0805 CHIP 56K 5%				
R179		036-15560-00	RES M/F 0805 CHIP 56K 5%				
R180		036-17100-00	RES M/F 0805 CHIP 1M 5%				
R181		036-14220-00	RES M/F 0805 CHIP 2K2 5%				
R182		036-14220-00	RES M/F 0805 CHIP 2K2 5%				
R183		036-14820-00	RES M/F 0805 CHIP 8K2 5%				
&R184	10	036-15150-00	RES M/F 0805 CHIP 15K 5%				
&R184	15	036-15180-00	RES M/F 0805 CHIP 18K 5%				
&R185	10	036-15470-00	RES M/F 0805 CHIP 47K 5%				
&R185	15	036-15560-00	RES M/F 0805 CHIP 56K 5%				
R186		036-15100-00	RES M/F 0805 CHIP 10K 5%				
R187		036-15560-00	RES M/F 0805 CHIP 56K 5%				
R188		036-17100-00	RES M/F 0805 CHIP 1M 5%				
R189		036-13560-00	RES M/F 0805 CHIP 560E 5%				
R190		036-14220-00	RES M/F 0805 CHIP 2K2 5%				
R192		036-14270-00	RES M/F 0805 CHIP 2K7 5%				
R194		036-15470-00	RES M/F 0805 CHIP 47K 5%				
R195		036-14470-00	RES M/F 0805 CHIP 4K7 5%				
R196		036-14470-00	RES M/F 0805 CHIP 4K7 5%				
R197		036-14270-00	RES M/F 0805 CHIP 2K7 5%				
RV201		042-07100-06	RES PRESET 1M CARBON 6MM FLAT				
RV202		042-07100-06	RES PRESET 1M CARBON 6MM FLAT				
R224		036-13100-00	RES M/F 0805 CHIP 100E 5%				
R227		036-12100-00	RES M/F 0805 CHIP 10E 5%				
R228		036-12330-00	RES M/F 0805 CHIP 33E 5%				
R229		036-12330-00	RES M/F 0805 CHIP 33E 5%				
R230		036-14470-00	RES M/F 0805 CHIP 4K7 5%				
R231		036-14100-00	RES M/F 0805 CHIP 1K 5%				
R232		032-33270-00	RES M/F PWR 270E 5% 1W 12X4.5MM				
R233		032-31100-00	RES M/F PWR 1E0 5% 1W 12X4.5MM				
R234		032-31100-00	RES M/F PWR 1E0 5% 1W 12X4.5MM				
R235		036-14680-00	RES M/F 0805 CHIP 6K8 5%				
R236		036-15100-00	RES M/F 0805 CHIP 10K 5%				
R237		036-15100-00	RES M/F 0805 CHIP 10K 5%				
R238		036-16100-00	RES M/F 0805 CHIP 100K 5%				
R239		036-16100-00	RES M/F 0805 CHIP 100K 5%				
R240		036-15470-00	RES M/F 0805 CHIP 47K 5%				
R241		036-16470-00	RES M/F 0805 CHIP 470K 5%				
R242		036-14100-00	RES M/F 0805 CHIP 1K 5%				
R243		036-16100-00	RES M/F 0805 CHIP 100K 5%				
R244		036-16100-00	RES M/F 0805 CHIP 100K 5%				
R245		036-14150-00	RES M/F 0805 CHIP 1K5 5%				
R246		036-15470-00	RES M/F 0805 CHIP 47K 5%				
R247		036-16330-00	RES M/F 0805 CHIP 330K 5%				
R248		036-16120-00	RES M/F 0805 CHIP 120K 5%				
R249		036-16330-00	RES M/F 0805 CHIP 330K 5%				
R250		036-14100-00	RES M/F 0805 CHIP 1K 5%				
R251		036-13560-00	RES M/F 0805 CHIP 560E 5%				
R252		036-16100-00	RES M/F 0805 CHIP 100K 5%				
R253		036-15150-00	RES M/F 0805 CHIP 15K 5%				
R254		036-15560-00	RES M/F 0805 CHIP 56K 5%				
R255		036-15100-00	RES M/F 0805 CHIP 10K 5%				
R256		036-15100-00	RES M/F 0805 CHIP 10K 5%				
R257		036-10000-00	RES M/F 0805 CHIP ZERO OHM				
R258		036-15100-00	RES M/F 0805 CHIP 10K 5%				
R259		036-14150-00	RES M/F 0805 CHIP 1K5 5%				
R260		036-13470-00	RES M/F 0805 CHIP 470E 5%				
R300		030-02820-20	RES FILM 82E 5% 0.4W 4X1.6MM				
R301		030-53100-20	RES FILM AI 100E 5% 0.4W 4X1.6MM				
R302		030-02820-20	RES FILM 82E 5% 0.4W 4X1.6MM				
R303		036-13330-00	RES M/F 0805 CHIP 330E 5%				
R304		036-12560-00	RES M/F 0805 CHIP 56E 5%				
R305		030-53560-20	RES FILM AI 560E 5% 0.4W 4X1.6MM				
R306		030-52470-20	RES FILM AI 47E 5% 0.4W 4X1.6MM				
R307		036-10000-00	RES M/F 0805 CHIP ZERO OHM				
R313		036-14100-00	RES M/F 0805 CHIP 1K 5%				
R364		036-11330-00	RES M/F 0805 CHIP 3E3 5%				
R422		030-53150-20	RES FILM AI 150E 5% 0.4W 4X1.6MM				
R423		030-53150-20	RES FILM AI 150E 5% 0.4W 4X1.6MM				
R424		030-53390-20	RES FILM AI 390E 5% 0.4W 4X1.6MM				
R425		036-12220-00	RES M/F 0805 CHIP 22E 5%				
R426		036-15100-00	RES M/F 0805 CHIP 10K 5%				
R427		036-15150-00	RES M/F 0805 CHIP 15K 5%				
R428		036-14470-00	RES M/F 0805 CHIP 4K7 5%				
R429		030-53680-20	RES FILM AI 680E 5% 0.4W 4X1.6MM				
R430		036-14220-00	RES M/F 0805 CHIP 2K2 5%				



## T827 Mechanical & Miscellaneous Parts (220-01187-01)

IPN	Description	IPN	Description
012-04150-01	CAP CER F/THRU 1N5 NO LEAD (C1-C15)	345-00040-20	SCREW M3*8MM BUTTON SKT HD BLACK ZINC PHOS Front panel
051-00006-02	SOLDER SPRING 1.3MM A4M1877	349-00020-32	SCREW TAPTITE M3X8MM PAN POZI BZ PCB mounting x8, 'N' hole cover x4.
065-00010-13	BEAD FERRITE 7D 1.9*0.9*3.8MM STACK POLE	349-00020-43	SCREW TAPTITE M4X12MM PAN POZI BZ Top cover x14
201-00030-02	WIRE #1 T/C WIRE 7/0.2MM PVC RED 2x30mm LED.	349-00020-45	SCREW TAPTITE M4X20MM PAN POZI BZ Bottom cover x14
201-00030-10	WIRE #1 T/C WIRE 7/0.2MM PVC BLACK 2x35mm LED.	352-00010-08	NUT M3 COLD FORM HEX ST BZ 2x D-range, 2x D-range cover, VCO mtg x3
206-00010-11	CABLE COAX 50 OHM RG316-U PTFE	352-00010-29	NUT M4 NYLOC HEX Handle.
220-01187-01	PCB T827 EX	353-00010-10	WASHER M3 FLAT 7MM*0.6MM ST BZ To be packed in bag
232-00020-26	BUTTON PUSH FOR 232-00010-26 SWITCH	353-00010-11	WASHER M3 FLAT 9.5MM*0.9MM ST BZ For final carcassing kit
240-00010-55	PLUG 15 WAY D RANGE WIRE WRAP PINS PNL MTG PL200	353-00010-12	WASHER M3 SPRING BZ OR Z/C D-range.
240-00100-43	PLUG COAX MINI PIN PLUG CRIMP 1.5D COAX	353-00010-13	WASHER M3 SHAKEPROOF INT BZ D-range cover x2, VCO mtg x3
240-00100-46	PLUG COAX PNL JACK SUHNER 24 SMC50-2-10C	362-00010-08	GASKET SIL INSULATING TO-5 TO-39 Under Q301
240-02010-54	SKT 15WAY DRANGE PNL MTG 125 DEG C Mounted in skt box	362-00010-23	GASKET SIL INSULATING TO-220 CLIP MTD
240-02100-46	SKT COAX ELBOW SUHNER 16SMC50-2-10C	362-00010-33	GROMMET LED MTG 3MM LO CURRENT LEDS
240-04020-62	SKT 2 WAY RECEPTL SHORTING LINK	365-00011-53	LABEL WHITE RW2365/1 104*37MM SPECIAL ADHSV
240-04020-65	SKT JACK PIN 1.3MM PCB MTG 64 WAY SIL STRAP SK301 to SK312.	365-00100-20	LABEL WHITE S/A 28X11MM QUIKSTIK RW718/4 use label ref #414
303-11168-00	CHASSIS HSINK PNTD CMPLT A1M2364 800 SERIES	365-01391-01	(L)LABEL BLNK 30*10.8MM TAMPERMARK VOID MATT
303-23055-00	COVER PLATE A4M955 N CONN HOLE T857	365-01500-00	LABEL CE CONFORMITY (12*24MM)
303-23118-00	COVER A3M2247 D RANGE HOLE T855/7 D-range connector	399-00010-51	BAG PLASTIC 75*100MM
303-50074-00	CLIP A3M2246 SPRING XSTR CLAMP T857	400-00020-07	SLEEVING 2MM SIL RUBBER
303-50078-00	CLIP A4M2630 0.1MM SPRING WIRE CABLE CLAMP T8	410-01081-00	CRTN T800 MODULE KIWI REF22860 PRTD 402X192X6
306-01010-00	FERRULE A4M948 HANDLE FXD EQUIP Handle	410-01082-00	CRTN 10 T800 KIWI REF24417 423X410X360
308-01007-00	HANDLE A4M949 FXD EQUIP		
312-01052-00	LID TOP PNTD COMPL A1M2364 800 SERIES		
312-01053-00	LID BOTTOM PNTD COMPL A1M2364 800 SERIES		
316-06408-01	PNL FRT COMPL T827 EX A3M2218/1 & 3		
316-85015-01	PIN A4M775 LOCATING D RANGE		
316-85099-00	PLATE FLOAT A2M2248 DUAL D RANGE SKT BOX		
316-85100-00	PLATE FRT A2M2249 DUAL D RANGE SKT BOX		
318-01014-00	RAIL A2M2214 FOR 800 SERIES FXD EQUIP		
319-01152-00	SHIELD A3M2250 F/THRU MTG T857		
345-00040-06	SCREW M3*8MM PAN POZI ST BZ		
345-00040-08	SCREW M3*12MM PAN POZI ST BZ D-range cover		
345-00040-09	SCREW M3*6MM CSK POZI TRUNCATED HEAD ST BZ Rail mounting - pack with rails		
345-00040-10	SCREW M3*6MM PAN POZI ST BZ Rail x4, float plate x4.		
345-00040-11	SCREW M3X10MM PAN POZI ST BZ For final carcassing kit		





## T827 Grid Reference Index (IPN 220-01187-01)

### How To Use This Grid Reference Index

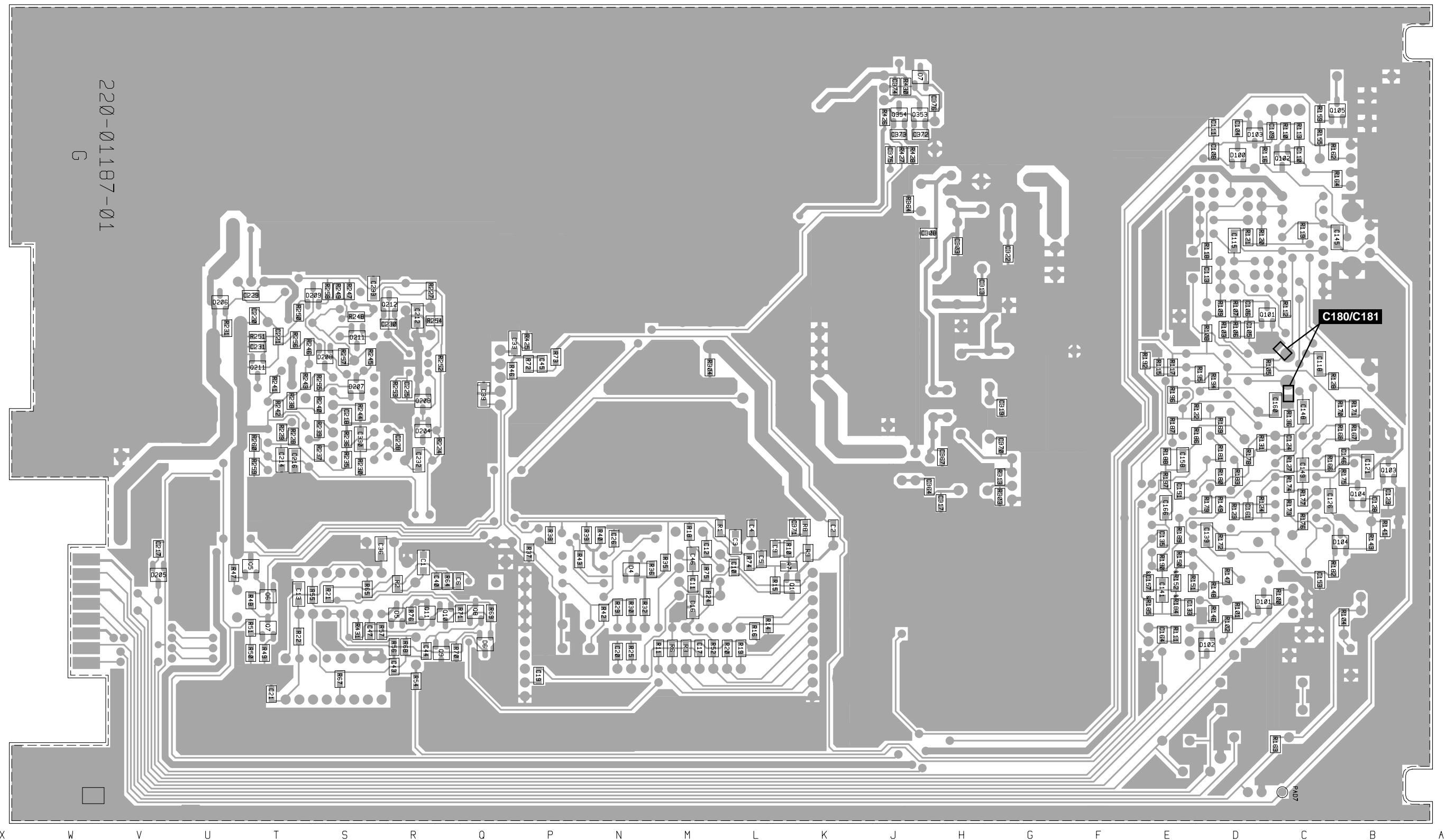
The first digit in the PCB layout reference is a "1" or "2", indicating the top or bottom side layout respectively, and the last two characters give the location of the component on that diagram.

The first digit in the circuit diagram reference is the sheet number, and the last two characters give the location of the component on that sheet.

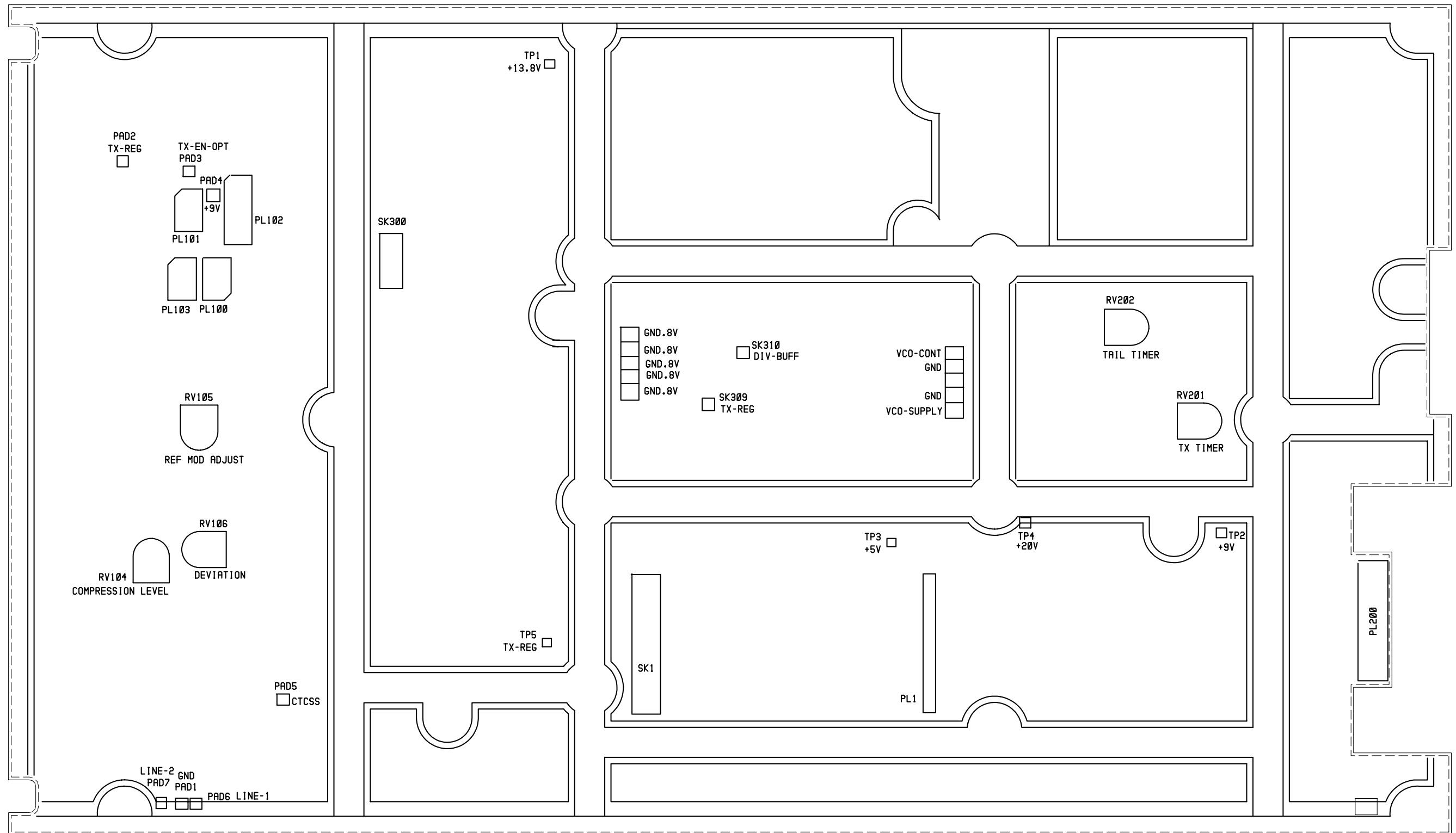
Device	PCB	Circuit	Device	PCB	Circuit	Device	PCB	Circuit	Device	PCB	Circuit
C1	2:R5	1-A8	C139	2:D5	2-H0	C374	2:J12	3-N4			2-F1
C2	2:K5	1-B4	C141	2:E4	2-R5	C375	2:J11	3-L4			2-H2
C3	2:L5	1-B5	C145	2:C9	2-C5	C376	2:H11	3-N3			2-G0
C4	2:L5	1-B4	C146	2:B6	2-F6	D4	2:N5	1-J3	IC103	1:E6	2-H0
C5	2:L5	1-B5	C147	1:B7	2-G4			1-J3			2-K2
C6	2:Q4	1-B7	C148	2:C7	2-H2	D5	2:R4	1-K8			2-N4
C9	2:L5	1-C4	C149	2:C6	2-H5			1-K7			2-R4
C10	2:L5	1-D5	C150	1:C5	2-J6	D6	2:Q4	1-H8			2-R1
C11	2:M4	1-E5	C151	2:E6	2-K2			1-H7	IC104	1:D8	2-N3
C12	2:M5	1-E4	C152	1:D6	2-L2	D7	2:J12	3-N3			2-R2
C13	2:T4	1-E8	C153	2:C4	2-L6			3-M3			2-M0
C15	1:M5	1-G4	C154	1:D4	2-M1	D100	2:D11	2-C2	IC201	1:T6	3-A3
C16	2:M4	1-G4	C156	1:D4	2-N6			2-D2	IC202	1:S6	3-C3
C17	2:M3	1-G2	&C157	2:E4	2-Q4	D101	2:D4	2-B1			3-H6
C19	2:P3	1-G2	C158	2:E6	2-R0			2-B1			3-K6
C20	2:N3	1-H3	C160	2:C7	2-Q3	D102	2:D4	2-B2			3-N5
C21	2:T3	1-F8	C161	2:D5	2-F1			2-B2			3-G4
C25	1:P5	1-K5	C162	1:E2	2-A3	D103	2:D11	2-C3	L1	1:L5	1-B4
C26	2:N5	1-K2	C163	1:E2	2-A3			2-D3	L302	1:F8	3-N1
C29	1:N3	1-M5	C164	2:E4	2-D0	D104	2:C5	2-M5	L303	1:H10	3-N2
C30	1:N5	1-N3	C166	2:E6	2-Q1			2-L5	L308	1:H8	3-N2
C33	2:Q8	1-M5	C209	1:R6	3-A1	D106	1:C12	2-R8	L309	1:G9	3-P1
C34	1:U4	1-P7	C212	2:R8	3-D2	%D107	1:C4	2-B4	L310	1:G6	3-L1
C35	1:S5	1-D8	C213	1:R8	3-D2	%D108	1:C4	2-C4	L311	1:H6	3-K1
C36	2:S5	1-D8	C214	2:T6	3-A3	D204	2:R7	3-C2	L312	1:H7	3-M1
C39	2:Q7	1-Q6	C215	1:T6	3-C3			3-C1	L313	1:H8	3-M1
C40	2:R4	1-C7	C216	2:T6	3-C4	D205	2:V5	3-C6	L314	1:G10	3-Q1
C42	1:N4	1-L4	C217	2:V5	3-C5			3-C6	PAD1	1:D1	2-R8
C43	2:R3	1-G6	C218	2:S7	3-H4	D206	2:U9	3-D4	PAD2	1:C11	2-R9
C44	2:R3	1-H7	C219	1:T8	3-F3			3-D5	PAD3	1:D10	2-B2
C45	2:P8	1-N5	C220	2:T8	3-F3	D207	2:S7	3-H6	PAD4	1:D10	2-R6
C46	2:M5	1-D5	C221	2:T8	3-F3			3-J6	PAD5	1:E3	2-N6
C47	2:S4	1-J8	C222	1:T7	3-J6	D208	2:S8	3-L6	PAD6	1:D1	2-R6
C48	1:R3	1-G6	C223	1:S8	3-N5			3-L6	PAD7	2:C1	2-R7
C101	1:D8	2-B7	C224	1:R7	3-B1	D209	2:S9	3-P5	PL1	1:P5	
C102	1:B3	2-C3	C225	2:R7	3-D1			3-P5	PL100	1:D9	
C103	1:C4	2-C3	C226	1:R8	3-E1	D210	1:S8	3-L5	PL101	1:D10	
C104	2:D11	2-C3	C227	1:R9	3-F2	D211	2:S8	3-M5	PL102	1:D10	
C105	2:D8	2-C6	C228	2:R6	3-D3			3-M5	PL103	1:D9	
C106	2:D8	2-C7	C229	2:T9	3-E4	D403	1:V5	3-D7	PL200	1:W5	
C107	1:E8	2-C8	C230	2:R8	3-F1	IC1	1:R5	1-B8	Q1	2:L4	1-C4
C108	2:D11	2-D2	C231	2:T8	3-R6	IC3	1:M4	1-E4	Q5	2:T5	1-Q8
C109	2:D11	2-D3	C232	2:R6	3-A1	IC4	1:T3	1-F7	Q6	2:T4	1-Q7
C110	2:C11	2-D3	C233	2:S9	3-G2			1-G8	Q7	2:T4	1-P7
C111	2:D11	2-E2	C303	2:H9	3-P2	IC5	1:N4	1-F3	Q8	2:Q4	1-H8
C112	1:D7	2-E6	C308	2:J10	3-N3	IC6	1:P4	1-M3	Q9	2:R3	1-H7
C113	2:D9	2-E2	C313	2:H9	3-P1			1-K3	Q10	2:R4	1-J8
C115	2:D9	2-F6	C317	2:H6	3-K1			1-L5	Q11	2:R4	1-J7
C118	2:C8	2-F7	C319	2:G7	3-M1	IC7	1:T5	1-D8	Q101	2:D8	2-D7
C119	1:E9	2-G3	C322	2:G9	3-P1			1-D7	Q102	2:C11	2-E3
C121	2:B6	2-G7	C330	2:S7	3-C3			1-D7	Q103	2:B6	2-H7
C123	2:B6	2-H7	C352	1:J10	3-M2			1-K7	Q104	2:B6	2-J8
C124	2:C6	2-J1	C364	2:J6	3-J1			1-G7	Q105	2:C11	2-Q8
C126	2:C6	2-H0	C366	1:H10	3-P2			1-H7	Q106	1:C4	2-C1
C128	2:B6	2-J7	C367	2:H6	3-L1			1-J7	Q208	2:R7	3-C0
C129	1:B5	2-K7	C370	2:G6	3-L1	IC100	1:E4	2-D1	Q209	1:R6	3-D3
C133	2:E4	2-P4	C371	2:K5	1-B5	IC101	1:C10	2-E4	Q210	1:T9	3-E4
C135	2:E5	2-Q4	C372	2:J11	3-M3	IC102	1:C7	2-G5	Q211	2:T8	3-R5
C137	1:E7	2-Q1	C373	2:J11	3-L3			2-K5	Q212	2:R8	3-E1

Device	PCB	Circuit	Device	PCB	Circuit	Device	PCB	Circuit	Device	PCB	Circuit
Q300	1:G6	3-L1	R115	2:E8	2-D6	R242	2:T7	3-J7			
Q301	1:H8	3-N1	R116	2:D11	2-E3	R243	2:T7	3-K7			
Q352	1:J12	3-N3	R117	2:E8	2-E8	R244	2:S7	3-K6			
Q353	2:J11	3-M3	R118	2:D9	2-E2	R245	2:S8	3-K5			
Q354	2:J11	3-L3	R119	2:C10	2-E6	R246	2:T8	3-K7			
R1	2:M5	1-B6	R120	2:D9	2-E4	R247	2:S9	3-N6			
R2	2:R4	1-B8	R121	2:D9	2-E6	R248	2:S8	3-N5			
R3	2:M3	1-B1	R122	2:E7	2-E2	R249	2:S9	3-P6			
R6	2:M3	1-B1	R123	2:D5	2-F1	R250	2:T8	3-Q5			
R7	2:L5	1-B5	R124	2:D6	2-F1	R251	2:T8	3-Q6			
R8	2:K5	1-B5	R127	2:C6	2-H3	R252	2:R8	3-E0			
R9	2:K5	1-C5	R128	2:C7	2-G7	R253	2:R7	3-D1			
R10	2:L5	1-C4	R131	2:D6	2-J2	R254	2:R8	3-E0			
R11	2:M3	1-C1	R136	2:C7	2-J1	R255	2:S7	3-H7			
R14	2:L4	1-C1	R141	2:B5	2-K7	R256	2:T8	3-L7			
R15	2:L4	1-C5	R143	2:B5	2-L7	R257	2:S8	3-L6			
R16	2:L4	1-D1	R146	2:D4	2-M6	R258	2:S9	3-P6			
R18	2:M5	1-D6	R147	2:D5	2-M1	R259	2:T6	3-B2			
R19	2:L3	1-D1	R148	2:D4	2-N5	R260	2:T6	3-B3			
R20	2:L3	1-D1	R149	2:D6	2-N5	R300	1:J6	3-J1			
R21	2:S4	1-D8	R150	2:E5	2-N4	R301	1:J6	3-J1			
R22	2:T4	1-E8	R151	2:E4	2-P4	R302	1:J6	3-J1			
R24	2:M4	1-G5	&R152	2:E4	2-P5	R303	2:G6	3-K1			
R25	2:N3	1-H3	R155	2:C11	2-Q8	R304	2:M8	1-A4			
R29	2:N4	1-H4	R159	2:C11	2-Q8	R305	1:H7	3-L1			
R30	2:N4	1-H3	R162	2:C11	2-R9	R306	1:H8	3-M1			
R32	2:N4	1-J3	R163	2:C2	2-R6	R313	2:G6	3-L1			
R35	2:M5	1-J3	R164	2:C10	2-R6	R364	2:J10	3-M2			
R36	2:N5	1-J3	R166	2:C6	2-G6	R422	1:H7	3-L2			
R37	2:P5	1-K5	R167	2:B7	2-G4	R423	1:H7	3-L2			
R38	2:P5	1-K6	R168	2:C7	2-H5	R424	1:H9	3-N2			
R39	2:P5	1-K3	R169	2:D7	2-H3	R425	2:P8	1-M5			
R40	2:N5	1-K2	R170	2:C7	2-H4	R426	2:J11	3-L4			
R42	2:N4	1-L5	R171	2:B7	2-H4	R427	2:J11	3-K3			
R43	2:P5	1-M4	R172	2:D5	2-J7	R428	2:J11	3-K3			
R46	2:Q8	1-M5	R173	2:C6	2-J5	R429	1:H11	3-M3			
R47	2:U5	1-P8	R174	2:C6	2-J5	R430	2:J12	3-M4			
R48	2:T4	1-P7	R175	2:B6	2-J8	R431	2:S4	1-H7			
R49	2:T3	1-P6	R176	2:C5	2-J6	SK1	1:K5				
R50	2:T3	1-N6	R177	2:C6	2-J5	SK100	1:B8	2-A7			
R51	2:T4	1-N7	R178	2:D6	2-K2	SK300	1:G10	3-R1			
R52	2:M3	1-H4	R179	2:D6	2-K3	SK301	1:Q7	1-R7			
R54	2:R3	1-G6	R180	2:D6	2-K1	SK302	1:Q8	1-R6			
R55	2:T4	1-K6	R181	2:D6	2-L1	SK303	1:Q7	1-R6			
R56	2:R3	1-K6	R182	2:C5	2-L5	SK304	1:K7	1-R4			
R57	2:R4	1-J6	R183	2:D6	2-L2	SK305	1:K8	1-R4			
R64	2:R4	1-C7	&R184	2:E4	2-Q5	SK306	1:K8	1-R4			
R65	2:S4	1-D7	&R185	2:E4	2-Q5	SK307	1:K8	1-R3			
R67	2:S3	1-G7	R186	2:E7	2-Q2	SK308	1:K7	1-R3			
R68	2:R3	1-G6	R187	2:E7	2-Q1	SK309	1:L7	1-N7			
R69	2:Q4	1-H8	R188	2:E6	2-R0	SK310	1:M8	1-A4			
R70	2:Q3	1-H7	R189	2:E5	2-Q4	SK311	1:Q8	1-R5			
R71	2:Q4	1-K8	R190	2:E5	2-R4	SK312	1:Q7	1-R6			
R72	2:P8	1-N5	R192	2:E8	2-R2	SW101	1:C11	2-B5			
R73	2:P8	1-N6	R194	2:D7	2-Q3	T100	1:D3	2-B3			
R74	2:L5	1-B5	R195	2:E7	2-R2	T200	1:R8	3-C1			
R75	2:M5	1-E5	R196	2:E7	2-Q3	TP1	1:J12	3-M4			
R76	2:R4	1-K7	R197	2:E6	2-R0	TP2	1:U5	1-B6			
RV100	1:B9	2-B4	RV201	1:T7	3-J7	TP3	1:P5	1-D8			
R100	2:C4	2-B0	RV202	1:S8	3-M5	TP4	1:R5	3-A1			
R101	2:D4	2-B1	R224	2:R6	3-B1	TP5	1:J4	3-R5			
R102	2:D4	2-C1	R227	2:R9	3-F2						
R103	2:D8	2-C7	R228	2:T7	3-A4						
RV104	1:C5	2-J6	R229	2:T7	3-A4						
R104	2:B4	2-C4	R230	2:S6	3-C3						
RV105	1:D7	2-Q3	R231	2:U8	3-D4						
R105	2:D8	2-C5	R232	1:T9	3-D3						
RV106	1:D5	2-L1	R233	1:U8	3-E5						
R106	2:D8	2-C6	R234	1:U7	3-E5						
R107	2:D8	2-D7	R235	2:S6	3-E3						
R108	2:D8	2-D8	R236	2:S7	3-E2						
R109	2:D8	2-D7	R237	2:S6	3-G7						
R110	2:C11	2-D5	R238	2:T7	3-G7						
R111	2:E4	2-D0	R239	2:S7	3-G5						
R112	2:C8	2-D4	R240	2:S7	3-H7						
R113	2:C11	2-D3	R241	2:T7	3-J6						



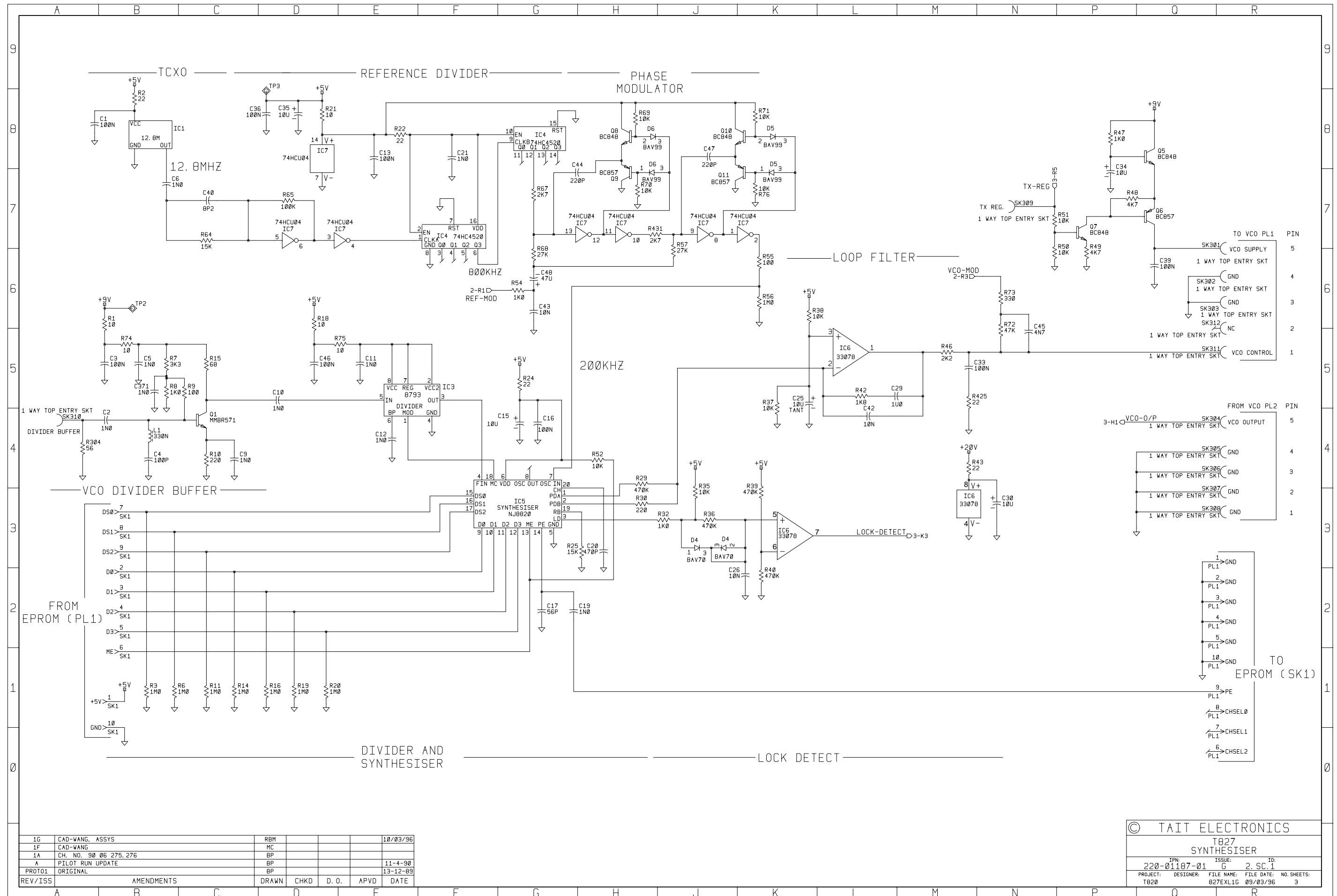


T827 PCB Layout  
Bottom Side  
220-01187-01



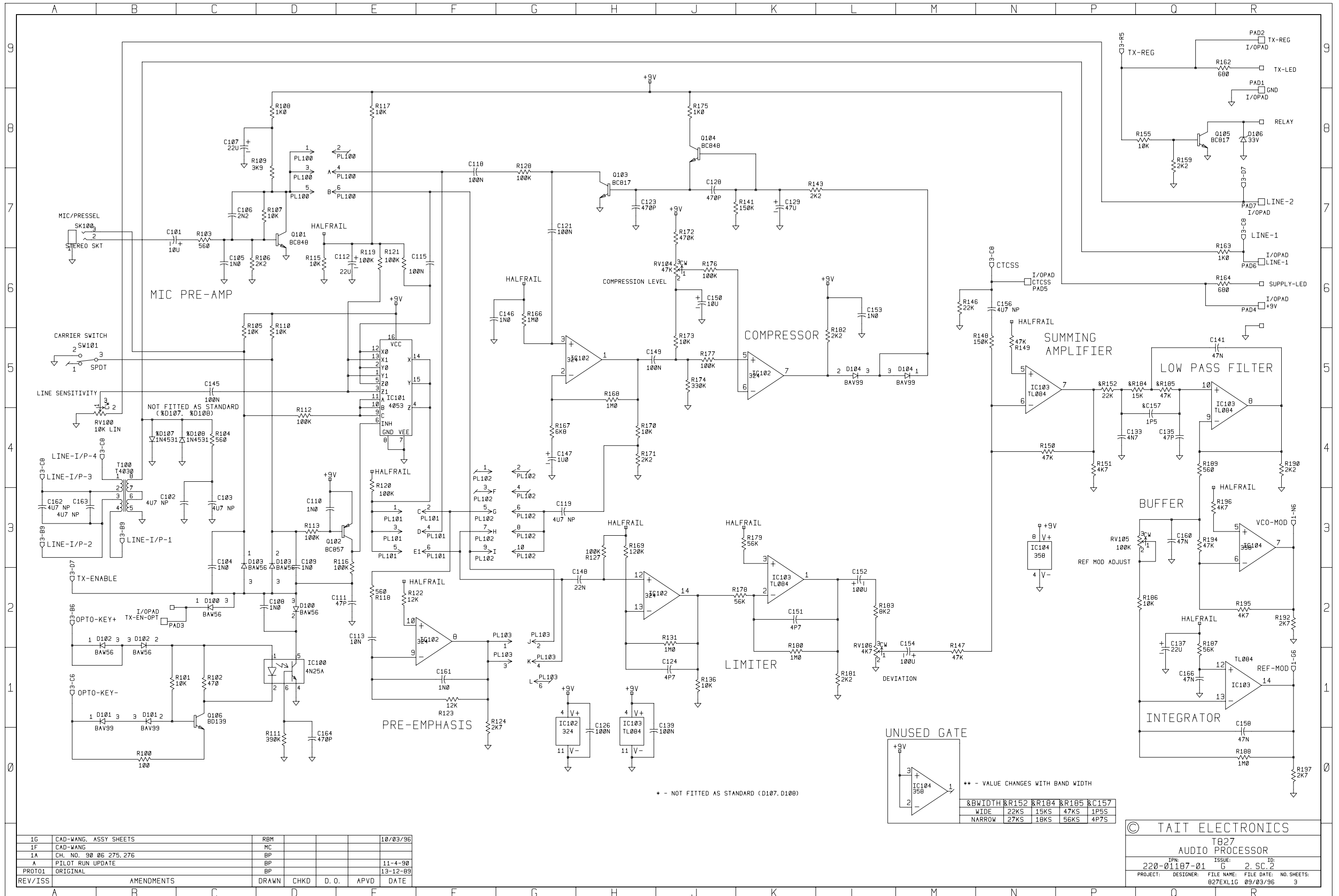
T827 Test Points & Options  
 Top Side  
 220-01187-01





1G	CAD-WANG. ASSYS	RBM			10/03/96
1F	CAD-WANG	MC			
1A	CH. NO. 90 06 275.276	BP			
A	PILOT RUN UPDATE	BP			11-4-90
PROT01	ORIGINAL	BP			13-12-89
REV/ISS	AMENDMENTS	DRAWN	CHKD	D. O.	APVD
					DATE

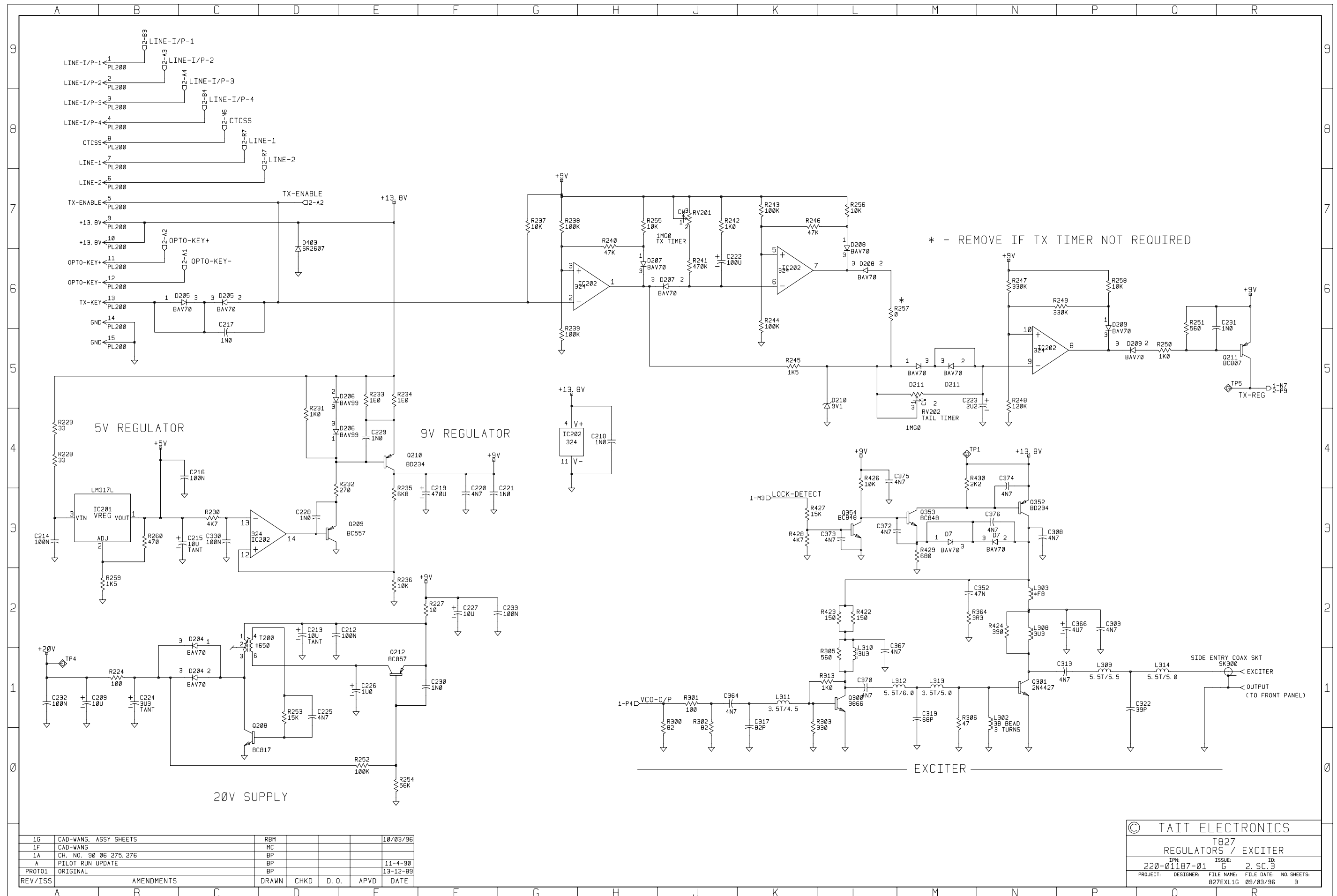
© TAIT ELECTRONICS					
T827 SYNTHESISER					
IPN:	220-01187-01	ISSUE:	G	2	SC. 1
PROJECT:	T820	DESIGNER:	B27EXLIG	FILE DATE:	09/03/96
				NO. SHEETS:	3



1G	CAD-WANG. ASSY SHEETS	RBM		10/03/96
1F	CAD-WANG	MC		
1A	CH. NO. 90 06 275, 276	BP		
A	PILOT RUN UPDATE	BP		11-4-90
PROT01	ORIGINAL	BP		13-12-89
REV/ISS	AMENDMENTS	DRAWN	CHKD	D. O. APVD DATE

© TAIT ELECTRONICS			
T827			
AUDIO PROCESSOR			
IPN:	220-01187-01	ISSUE:	2 SC. 2
PROJECT:	DESIGNER:	FILE NAME:	FILE DATE:
		827EXL16	09/03/96
			3





1G	CAD-WANG ASSY SHEETS	RBM			10/03/96
1F	CAD-WANG	MC			
1A	CH. NO. 90 06 275.276	BP			
A	PILOT RUN UPDATE	BP			11-4-90
PROT01	ORIGINAL	BP			13-12-89
REV/ISS	AMENDMENTS	DRAWN	CHKD	D.O.	APVD DATE

© TAIT ELECTRONICS			
T827			
REGULATORS / EXCITER			
TPN:	ISSUE:	ID:	
220-01187-01	G	2	SC.3
PROJECT:	DESIGNER:	FILE NAME:	FILE DATE:
		B27EXL1G	09/03/96
			NO. SHEETS:
			3

